



All prices MSRP list. Call for discounts.

LIGHT TOWER PRICING GUIDE

Management • Critical Power Systems • Generator Procurement • Facility Management • Emergency
 Contracts • Forward Deployment • Infrastructure Planning • Leasing Facilities • Engineering
 Project Consultation • Advanced Site Preparation • Full Service Integration • Management System
 Response • Maintenance Contracts • Equipment Management • Engineering Services • Financial

Power to the worldwide marketplace...



RL4000

Light Tower

LIGHT TOWER
RL4000



Light Tower RL4000

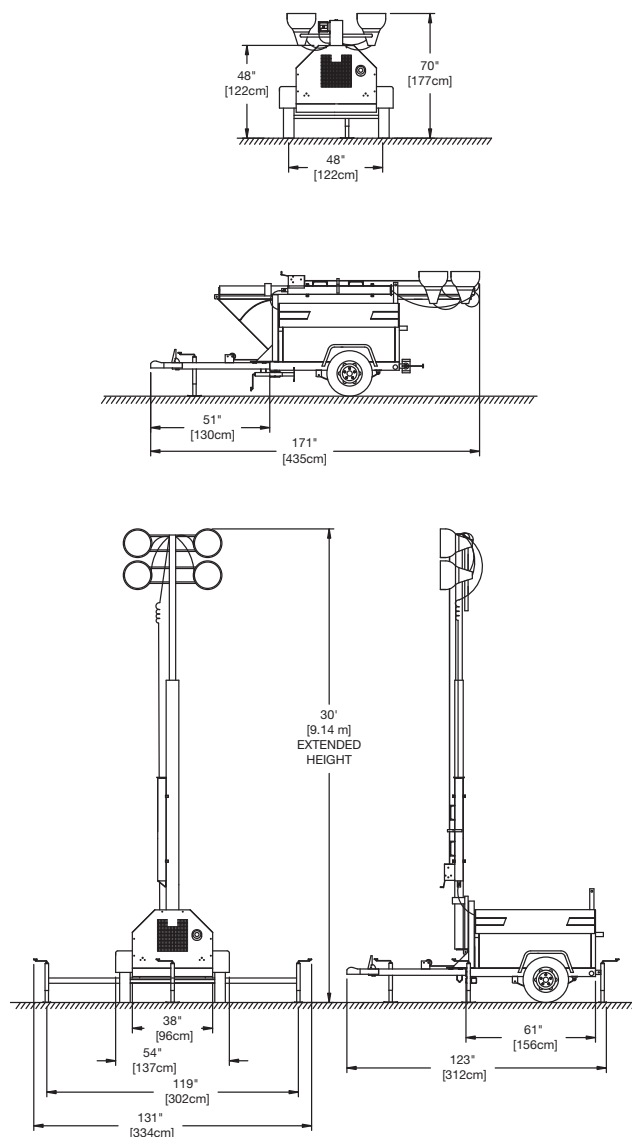
Features

- Dual self-braking winch design for fast and easy tower erection and extension.
- 30 ft (almost 10 m) light height at full extension for excellent illumination at long distances.
- 360 degree tower rotation to provide pin-point light positioning at your work site.
- 4,000 Watts of light - enough to illuminate 7-1/2 acres.
- Quiet 71 dBA sound levels at 23 feet (7 m).
- Excellent fuel economy providing up to 60 hours of run time per tank of fuel.
- Maintenance-friendly electrical assemblies make troubleshooting, service and repair a breeze.
- 3 cylinder diesel engine powers a brushless self regulated type generator.
- Centerpoint lifting bracket and fork lift pockets make transport easy.
- Compact design allows up to 10 units per truck load.
- Engine protection includes high water temperature and low oil pressure shutdowns.
- Cabinet is protected with a durable, fade resistant, polyester powder coat finish.

Specifications

Lamps	Metal halide 4 x 1,000 W
Generator	Brushless 60 Hz, 6.0 kW
Engine	Kubota diesel 13.6 hp
Fuel capacity	30 gal (114 L)
Wheel size	13" (33 cm)
Axle rating	2,000 lbs (907 kg)
Tongue weight travel position	130 lbs (59 kg)
Total weight no fuel	1,760 lbs (798 kg)

Dimensions



Genie Industries, Inc.

A Terex company

18340 NE 76th Street
PO Box 97030
Redmond, WA 98073-9730

For more information, product demonstration, or details on purchase, lease and rental plans, please contact your local Genie Distributor.



TEREX®

2008 Price List Light Towers RL4000

<u>Standard Features</u>	<u>Model</u>	<u>List Price</u>
Chassis	RL4000	\$9,190
60 Hz, 6 kW generator		
13.6 hp Kubota diesel engine, D1105		
6 kW Leroy Somer generator set		
Low oil pressure and high temperature engine safety shut down		
One 30A/240V T/L receptacle		
One GFI protected 20A/120V duplex receptacle		
30 gal fuel tank		
P185/75B13 tires		
	<u>Options (add to model base price)</u>	
	Combination ring and ball hitch	\$145
	Ring hitch, 2.5 in.	\$60
	DOT approved run, stop and turn lights, 4 pole flat plug	\$95
	Extra GFI duplex receptacle with breaker	\$80
	Export racking / preparation	\$505
	Export crating / preparation	\$685
	700 CCA battery	\$85
Tower		
Four 1000W metal halide lights		
Dual winch operated 30 ft.		
Galvanized tower		
Retractable coiled power cord		
Quick disconnect fixtures		

Effective Date: January 1, 2008. Product specifications and prices are subject to change without notice or obligation. All prices are in U.S. dollars F.O.B. Factory. Products and services listed may be trademarks, service marks or trade-names of Terex Corporation, Genie Industries, Inc. and/or their subsidiaries in the U.S.A. and many other countries. All rights are reserved. Terex® is a registered trademark of Terex Corporation in the U.S.A. and many other countries. Genie® is a registered trademark of Genie Industries, Inc in the U.S.A. and many other countries. Genie is a Terex Company. Copyright © 2007 Terex Corporation.

Updated - October 1, 2007